



| Rif. | Codice     | Descrizione                    | Gr. Listino | Com. Tecnica |
|------|------------|--------------------------------|-------------|--------------|
| 1    | JM23300009 | VITE M8X16 LH1200FL            | P01         |              |
| 2    | JM23300010 | RONDELLA ELASTICA 8 LH1200FL   | P01         |              |
| 3    | JM23300011 | RONDELLA 8 LH1200FL            | P01         |              |
| 4    | JM23300012 | COLTELLO DIVISORE LH120FL      | P22         |              |
| 5    | JM23300013 | VITE M6X16 LH1200FL            | P01         |              |
| 6    | JM23300300 | PROTEZIONE SUPER.LAMA LH1200FL | P22         |              |
| 7    | JM23300015 | DADO M6 LH1200FL               | P01         |              |
| 8    | JM27080060 | ETICHETTA SICUREZZA MLT100     | P01         |              |
| 9    | JM23300244 | CARCASSA LAMA                  | P99         |              |
| 10   | JM23300239 | PIASTRA                        | P99         |              |
| 11   | JM23300019 | RONDELLA 6 LH1200FL            | P01         |              |
| 12   | JM23300020 | RONDELLA ELASTICA 6 LH1200FL   | P01         |              |
| 13   | JM23300248 | VITE M6X16                     | P99         |              |
| 14   | JM23300022 | ANELLO ELASTICO 5 LH1200FL     | P01         |              |
| 15   | JM23300023 | FERMO LH1200FL                 | P02         |              |
| 16   | JM23300024 | MOLLA TORSIONE LH1200FL        | P01         |              |
| 17   | JM23300025 | PIASTRA FERMO LH1200FL         | P02         |              |
| 18   | JM23300026 | RONDELLA 4 LH1200FL            | P01         |              |
| 19   | JM23300027 | RONDELLA ELASTICA 4 LH1200FL   | P01         |              |
| 20   | JM23300028 | VITE M4X12 LH1200FL            | P01         |              |
| 21   | JM23300029 | COPERCHIO LH1200FL             | P02         |              |
| 22   | JM23300030 | VITE M4X10 LH1200FL            | P01         |              |
| 23   | JM23300031 | COPERCHIO TERM.LASER LH1200FL  | P02         |              |
| 24   | JM23300032 | FERMA CAVO LH1200FL            | P01         |              |
| 25   | JM23300033 | VITE M4X8 LH1200FL             | P01         |              |
| 26   | JM23300034 | RONDELLA PARAPOLVERE LH1200F   | P02         |              |
| 27   | JM23300035 | MOLLA LH1200FL                 | P02         |              |
| 28   | JM23300036 | SUPPORTO LASER LH1200FL        | P06         |              |
| 29   | JM23300037 | SUPPORTO GIREV.LASER LH1200FL  | P03         |              |
| 30   | JM23300038 | VITE M4X6 LH1200FL             | P01         |              |
| 31   | JM23300039 | VITE M5X8 LH1200FL             | P01         |              |
| 32   | JM23300040 | DIODO LASER LH1200FL           | P18         |              |
| 33   | JM23300041 | COPERCHIO LASER LH1200FL       | P02         |              |
| 35   | JM23300042 | ANELLO E6 LH1200FL             | P01         |              |
| 36   | JM23300043 | CUSCINETTO SFERE 608 LH1200FL  | P06         |              |
| 37   | JM23300044 | INGRANAGGIO LH1200FL           | P21         |              |
| 38   | JM23300045 | CHIAVETTA 6X16 LS1200FL        | P01         |              |
| 39   | JM23300046 | ALBERINO LH1200FL              | P20         |              |
| 40   | JM23300047 | CUSCINETTO SFERE 6204          | P11         |              |
| 41   | JM23300048 | SCATOLA CUSCINETTO LH1200FL    | P14         |              |
| 42   | JM23300049 | COPERCHIO CUSCINETTO LH1200FL  | P06         |              |
| 43   | JM23300050 | VITE M5X16 LH1200FL            | P01         |              |
| 44   | JM23300051 | FLANGIA INTERMEDIA LH1200FL    | P14         |              |
| 45   | JM23100144 | ANELLO INTERNO LS1018L         | P02         |              |
| 47   | JM23300053 | FLANGIA ESTERNA LH1200FL       | P14         |              |
| 48   | JM23300054 | VITE M8X20 LH1200FL            | P06         |              |
| 49   | JM23300055 | PIASTRA DI CENTRAGGIO LH1200FL | P06         |              |
| 50   | JM23300056 | PROTEZIONE LH1200FL            | P11         |              |
| 51   | JM23300057 | VITE M8X12 LH1200FL            | P02         |              |
| 52   | JM23300058 | VITE LH1200FL                  | P01         |              |
| 53   | JM23300059 | RONDELLA DI CENTRAGGIO LH120FL | P01         |              |
| 54   | JM23300060 | MOLLA DI TORSIONE LH1200FL     | P06         |              |
| 55   | JM23300061 | PROTEZIONE INTERNA LH120FL     | P14         |              |
| 56   | JM23300310 | PROTEZIONE ESTERNA LH1200FL    | P20         |              |
| 57   | JM23300063 | PIASTRA DI FISSAGGIO LH1200FL  | P01         |              |
| 58   | JM23300064 | VITE M5X25 LH1200FL            | P01         |              |
| 59   | JM23300065 | BUSSOLA LH1200FL               | P03         |              |
| 60   | JM23300066 | RONDELLA DENTATA 5 LH1200FL    | P01         |              |
| 61   | JM23300067 | CUSCINETTO SFERE 6202RS LH1200 | P01         |              |
| 62   | JM23300068 | MOLLA COMPRESSIONE LH1200FL    | P02         |              |
| 63   | JM23300069 | LEVA DI BLOCCO LH1200FL        | P06         |              |
| 64   | JM23300001 | INDOTTO LH1200FL               | P35         |              |

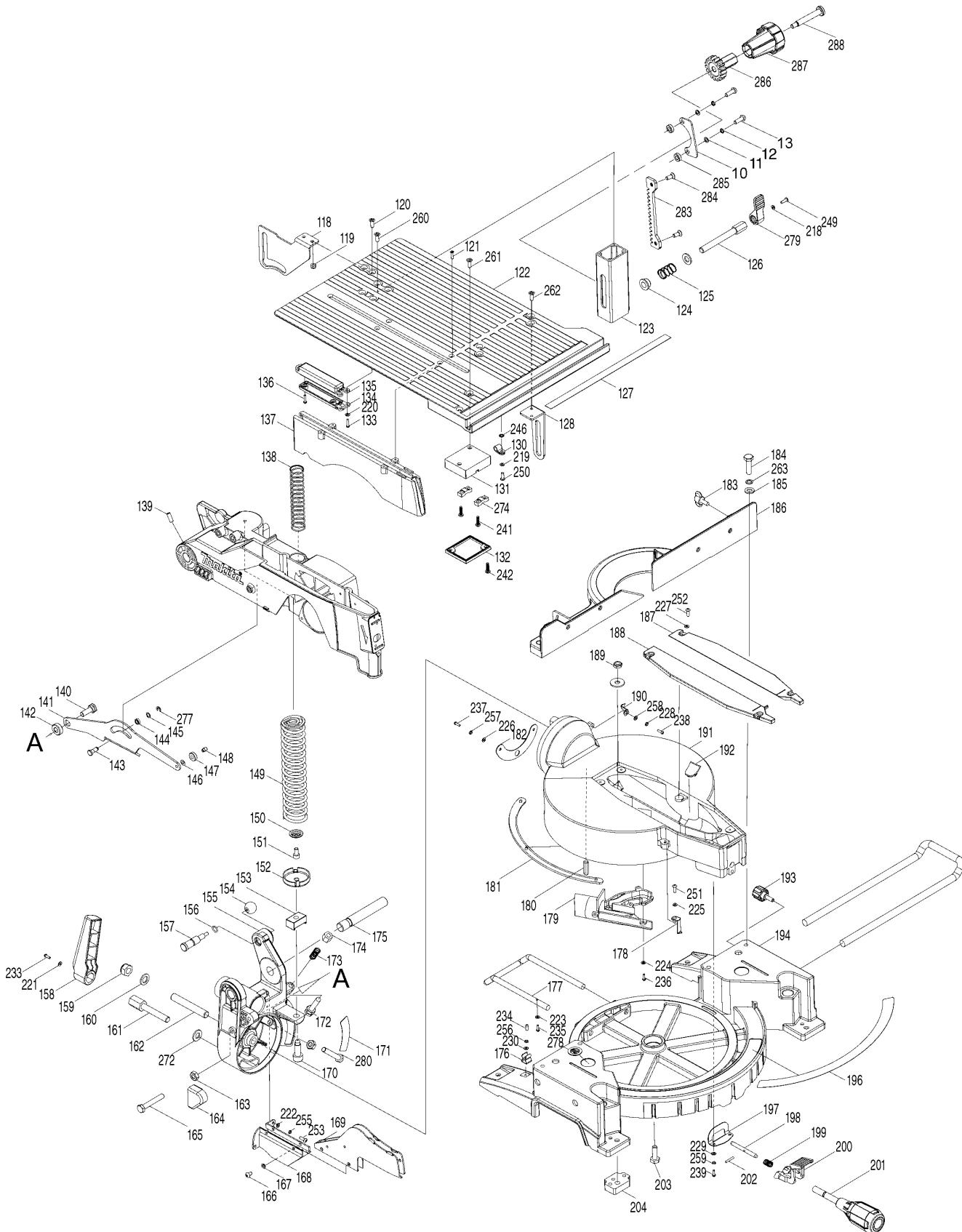


| Rif. | Codice     | Descrizione                    | Gr. Listino | Com. Tecnica |
|------|------------|--------------------------------|-------------|--------------|
| 65   | JM23300070 | RONDELLA PARAPOLVERE LH1200FL  | P01         |              |
| 66   | JM23300071 | CUSCINETTO SFERE 6001RS LH1200 | P08         |              |
| 67   | JM23300072 | ANELLO LH1200FL                | P01         |              |
| 68   | JM23300073 | DEFLETTORE LH1200FL            | P03         |              |
| 69   | JM23300074 | VITE 4,8X75 LH1200FL           | P01         |              |
| 70   | JM23300003 | STATORE 230V LH1200FL          | P31         |              |
| 71   | JM23300075 | MANICOTTO CAVO LH1200FL        | P01         |              |
| 72   | JM23300076 | COPERCHIO TERMINALI LH1200FL   | P06         |              |
| 73   | JM23300077 | VITE 4,2x12 LH1200FL           | P01         |              |
| 74   | JM23300078 | MORSETTO LH1200FL              | P01         |              |
| 75   | JM23300079 | FERMACAVO LH1200FL             | P01         |              |
| 76   | JM23300320 | CARASSA MOTORE LH1200FL        | P29         |              |
| 77   | JM23300081 | VITE M5X8 LH1200FL             | P01         |              |
| 78   | JM23300082 | TAPPO PORTASPAZZOLE LH1200FL   | P01         |              |
| 79   | JM23000123 | CARBONCINI MLS100 (2PCS)       | P03         |              |
| 80   | JM23300084 | SUPPORTO SPAZZOLE LH1200FL     | P06         |              |
| 81   | JM23300085 | CIRCUITO AVVIAM.LENTO LH1200FL | P20         |              |
| 82   | JM23300086 | VITE M6X55 LH1200FL            | P01         |              |
| 83   | JM23300087 | COPERCHIO POSTERIORE LH1200FL  | P19         |              |
| 84   | JM23300088 | VITE M4,2X16 LH1200FL          | P01         |              |
| 85   | JM23300089 | SPUGNA A LH1200FL              | P01         |              |
| 86   | JM23300090 | TRASFORMATORE LH1200FL         | P19         |              |
| 87   | JM23300091 | COPERCHIO TRASFORMATORE        | P03         |              |
| 88   | JM23300092 | VITE 4,2X8 LH120FL             | P01         |              |
| 89   | JM23300093 | RONDELLA 10 LH1200FL           | P01         |              |
| 90   | JM23300094 | PERNO LH1200FL                 | P07         |              |
| 91   | JM23300095 | COPERCHIO IMPUGNATURA LH1200FL | P20         |              |
| 92   | JM23300096 | INTERRUTTORE LH1200FL          | P23         |              |
| 93   | JM23300097 | CONDENSATORE LH1200FL          | P08         |              |
| 94   | JM23300098 | SPUGNA B LH1200FL              | P01         |              |
| 95   | JM23300099 | IMPUGNATURA LH1200FL           | P06         |              |
| 96   | JM23300100 | PERNO ROTAZIONE LH1200FL       | P08         |              |
| 97   | JM23300101 | MOLLA TORSIONE LH1200FL        | P01         |              |
| 98   | JM23300102 | MOLLA TORSIONE LH1200FL        | P01         |              |
| 99   | JM23300103 | LEVA DI BLOCCO LH1200FL        | P01         |              |
| 100  | JM23300330 | PIASTRA DI BLOCCO LH1200FL     | P18         |              |
| 101  | JM23300105 | RIVETTO LH1200FL               | P01         |              |
| 102  | JM23300106 | VITE LH1200FL                  | P01         |              |
| 103  | JM23300107 | SPINOTTO LH1200FL              | P01         |              |
| 104  | JM23300108 | BUSSOLA LH1200FL               | P03         |              |
| 105  | JM23300109 | SPINOTTO LH1200FL              | P01         |              |
| 106  | JM23300110 | INTERRUTTORE HY39-2 LH1200FL   | P14         |              |
| 107  | JM23300111 | COPERCHIO INTERRUTTORE LH1200F | P01         |              |
| 108  | JM23300112 | TAPPO TASTO LH1200FL           | P03         |              |
| 109  | JM23300113 | ANELLO FELTRO LH1200FL         | P06         |              |
| 110  | JM23300114 | RONDELLA LH1200FL              | P01         |              |
| 111  | JM23300115 | MOLLA LH1200FL                 | P01         |              |
| 112  | JM23300116 | TASTO OFF LH1200FL             | P01         |              |
| 113  | JM23300117 | TASTO ON LH1200FL              | P01         |              |
| 114  | JM23300118 | LEVA DI BLOCCO LH1200FL        | P01         |              |
| 115  | JM23300119 | CAPPUCCIO LEVA LH1200FL        | P01         |              |
| 116  | JM23300121 | LEVA BLOCCO TAVOLA LH1200FL    | P01         |              |
| 117  | JM23300121 | LEVA BLOCCO TAVOLA LH1200FL    | P01         |              |
| 129  | JM23300133 | RONDELLA DENTATA 4 LH1200FL    | P01         |              |
| 205  | JM23300208 | MORSETTO STRINGICAVO LH1200FL  | P01         |              |
| 206  | JM23300209 | SPUGNA C LH1200FL              | P01         |              |
| 207  | JM23300210 | SPUGNA D LH1200FL              | P01         |              |
| 210  | JM23300026 | RONDELLA 4 LH1200FL            | P01         |              |
| 211  | JM23300026 | RONDELLA 4 LH1200FL            | P01         |              |
| 212  | JM23300026 | RONDELLA 4 LH1200FL            | P01         |              |
| 213  | JM23300026 | RONDELLA 4 LH1200FL            | P01         |              |
| 214  | JM23300026 | RONDELLA 4 LH1200FL            | P01         |              |



| Rif. | Codice     | Descrizione                   | Gr. Listino | Com. Tecnica |
|------|------------|-------------------------------|-------------|--------------|
| 215  | JM23300026 | RONDELLA 4 LH1200FL           | P01         |              |
| 216  | JM23300026 | RONDELLA 4 LH1200FL           | P01         |              |
| 217  | JM23300026 | RONDELLA 4 LH1200FL           | P01         |              |
| 231  | JM23300030 | VITE M4X10 LH1200FL           | P01         |              |
| 232  | JM23300030 | VITE M4X10 LH1200FL           | P01         |              |
| 240  | JM23300077 | VITE 4,2x12 LH1200FL          | P01         |              |
| 243  | JM23300077 | VITE 4,2x12 LH1200FL          | P01         |              |
| 245  | JM23300088 | VITE M4,2X16 LH1200FL         | P01         |              |
| 247  | JM23300208 | MORSETTO STRINGICAVO LH1200FL | P01         |              |
| 248  | JM23300028 | VITE M4X12 LH1200FL           | P01         |              |
| 254  | JM23300027 | RONDELLA ELASTICA 4 LH1200FL  | P01         |              |
| 264  | JM23300019 | RONDELLA 6 LH1200FL           | P01         |              |
| 265  | JM23300033 | VITE M4X8 LH1200FL            | P01         |              |
| 266  | JM23300033 | VITE M4X8 LH1200FL            | P01         |              |
| 267  | JM23300033 | VITE M4X8 LH1200FL            | P01         |              |
| 268  | JM23300033 | VITE M4X8 LH1200FL            | P01         |              |
| 269  | JM23300093 | RONDELLA 10 LH1200FL          | P01         |              |
| 270  | JM23300093 | RONDELLA 10 LH1200FL          | P01         |              |
| 273  | JM23300079 | FERMACAVO LH1200FL            | P01         |              |
| 275  | JM23300022 | ANELLO ELASTICO 5 LH1200FL    | P01         |              |
| 276  | JM23300022 | ANELLO ELASTICO 5 LH1200FL    | P01         |              |





| Rif. | Codice     | Descrizione                    | Gr. Listino | Com. Tecnica |
|------|------------|--------------------------------|-------------|--------------|
| 10   | JM23300239 | PIASTRA                        | P99         |              |
| 11   | JM23300019 | RONDELLA 6 LH1200FL            | P01         |              |
| 12   | JM23300020 | RONDELLA ELASTICA 6 LH1200FL   | P01         |              |
| 13   | JM23300248 | VITE M6X16                     | P99         |              |
| 118  | JM23300245 | PIASTRA TAVOLA                 | P99         |              |
| 119  | JM23300123 | DADO M5 LH1200FL               | P01         |              |
| 120  | JM23300124 | VITE M5X14 LH1200FL            | P01         |              |
| 121  | JM23300125 | VITE 3,5X14 LH1200FL           | P01         |              |
| 122  | JM23300126 | TAVOLA SUPERIORE LH1200FL      | P33         |              |
| 123  | JM23300236 | SUPPORTO TAVOLA LH1201FL       | P99         |              |
| 124  | JM23300128 | RONDELLA LH1200FL              | P03         |              |
| 125  | JM23300129 | MOLLA LH1200FL                 | P01         |              |
| 126  | JM23300130 | VITE BLOCCO TAVOLA SUP.LH1200F | P07         |              |
| 127  | JM23300131 | PIASTRA GRADUATA LH1200FL      | P01         |              |
| 128  | JM23300132 | PIASTRA SUPPORTO LH1200FL      | P07         |              |
| 130  | JM23300134 | FERMA CAVO LH1200FL            | P01         |              |
| 131  | JM23300135 | SCATOLA TERMINALI LH1200FL     | P06         |              |
| 132  | JM23300136 | COPERCHIO SCATOLA TERMINALI    | P06         |              |
| 133  | JM23300137 | VITE M4X14 LH1200FL            | P01         |              |
| 134  | JM23300138 | COPERCHIO LAMPADA LH1200FL     | P03         |              |
| 135  | JM23300139 | SCATOLA LAMPADA LH1200FL       | P23         |              |
| 136  | JM23300140 | VITE 3,5X9 LH1200FL            | P01         |              |
| 137  | JM23300141 | PROTEZIONE INFERIORE LH1200FL  | P21         |              |
| 138  | JM23300142 | MOLLA COMPRESSIONE LH1200FL    | P06         |              |
| 139  | JM23300143 | VITE M6X16 LH1200FL            | P01         |              |
| 140  | JM23300144 | VITE LH1200FL                  | P02         |              |
| 141  | JM23300340 | PIASTRA DI COLLEGAMENTO LH1200 | P21         |              |
| 142  | JM23300146 | BUSSOLA LH1200FL               | P02         |              |
| 143  | JM23300147 | SPINOTTO LH1200FL              | P01         |              |
| 144  | JM23300148 | MOLLA LH1200FL                 | P01         |              |
| 145  | JM23300149 | RONDELLA 6 LH1200FL            | P01         |              |
| 146  | JM23300150 | RONDELLA LH1200FL              | P06         |              |
| 147  | JM23300151 | CUSCINETTO SFERE 619-6-2Z      | P09         |              |
| 148  | JM23300152 | PERNO LH1200FL                 | P01         |              |
| 149  | JM23300153 | MOLLA COMPRESSIONE LH1200FL    | P21         |              |
| 150  | JM23300154 | COPERCHIO LH1200FL             | P03         |              |
| 151  | JM23300155 | VITE M6X12 LH120FL             | P01         |              |
| 152  | JM23300156 | SUPPORTO LH1200FL              | P06         |              |
| 153  | JM23300157 | SUPPORTO LH1200FL              | P06         |              |
| 154  | JM23300158 | POMELLO DI FERMO LH1200FL      | P01         |              |
| 155  | JM23300159 | BRACCIO LH1200FL               | P32         |              |
| 156  | JM23300160 | ANELLO 8,5 LH1200FL            | P01         |              |
| 157  | JM23300161 | PERNO DI BLOCCO LH1200FL       | P06         |              |
| 158  | JM23300162 | MANOPOLA LH1200FL              | P08         |              |
| 159  | JM23300163 | DADO M12 LH1200FL              | P01         |              |
| 160  | JM23300164 | RONDELLA 12 LH1200FL           | P01         |              |
| 161  | JM23300165 | PERNO LH1200FL                 | P07         |              |
| 162  | JM23300166 | ALBERINO LH1200FL              | P08         |              |
| 163  | JM23300167 | DADO M8 LH1200FL               | P01         |              |
| 164  | JM23300168 | AMMORTIZZANTE LH1200FL         | P01         |              |
| 165  | JM23300169 | VITE M8X50 LH1200FL            | P01         |              |
| 166  | JM23300170 | VITE M5X8 LH1200FL             | P01         |              |
| 167  | JM23300171 | RONDELLA 5 LH1200FL            | P01         |              |
| 168  | JM23300172 | PIASTRA LH1200FL               | P19         |              |
| 169  | JM23300173 | SUPPORTO LH1200FL              | P21         |              |
| 170  | JM23300174 | VITE LH1200FL                  | P02         |              |
| 171  | JM23300175 | PIASTRA GRADUATA INCLINAZIONE  | P02         |              |
| 172  | JM23300176 | VITE LH1200FL                  | P02         |              |
| 173  | JM23300178 | MOLLA LH1200FL                 | P01         |              |
| 174  | JM23300177 | DADO REGOLAZIONE LH1200FL      | P02         |              |
| 175  | JM23300179 | PERNO LH1200FL                 | P09         |              |
| 176  | JM23300180 | SUPPORTO CHIAVE LH1200FL       | P02         |              |



| Rif. | Codice     | Descrizione                  | Gr. Listino | Com. Tecnica |
|------|------------|------------------------------|-------------|--------------|
| 177  | JM23300181 | SUPPORTO POSTERIORE LH1200FL | P11         |              |
| 178  | JM23300182 | INDICATORE LH1200FL          | P01         |              |
| 179  | JM23300183 | CONVOGLIATORE LH1200FL       | P06         |              |
| 180  | JM23300184 | SPINA ELASTICA 4X30 LH1200FL | P01         |              |
| 181  | JM23300185 | RONDELLA LH1200FL            | P03         |              |
| 182  | JM23300186 | COPERCHIO POLVERI LH1200FL   | P03         |              |
| 183  | JM23300187 | MANOPOLA LH1200FL            | P01         |              |
| 184  | JM23300188 | VITE M8X30 LH1200FL          | P01         |              |
| 185  | JM23300189 | RONDELLA 8 LH1200FL          | P01         |              |
| 186  | JM23300240 | GUIDA D'APPOGGIO             | P19         |              |
| 187  | JM23300191 | PIASTRA TAGLIO DX LH1200FL   | P08         |              |
| 188  | JM23300192 | PIASTRA TAGLIO SX LH1200FL   | P08         |              |
| 189  | JM23300193 | DADO M8 LH1200FL             | P01         |              |
| 190  | JM23300194 | INDICATORE LH1200FL          | P01         |              |
| 191  | JM23300195 | TAVOLA INFERIORE LH1200FL    | P35         |              |
| 192  | JM23300196 | PIASTRA LH1200FL             | P01         |              |
| 193  | JM23300197 | MANOPOLA LH1200FL            | P01         |              |
| 194  | JM23300350 | BASE LH1200FL                | P37         |              |
| 196  | JM23300199 | PIASTRA GRADUATA LH1200FL    | P06         |              |
| 197  | JM23300200 | FERMO LH1200FL               | P03         |              |
| 198  | JM23300201 | PERNO BLOCCO LH1200FL        | P02         |              |
| 199  | JM23300202 | MOLLA LH1200FL               | P01         |              |
| 200  | JM23300203 | PIASTRA LH1200FL             | P03         |              |
| 201  | JM23300204 | IMPUGNATURA LH1200FL         | P08         |              |
| 202  | JM23300205 | SPINOTTO LH1200FL            | P03         |              |
| 203  | JM23300206 | VITE M8X35 LH1200FL          | P01         |              |
| 204  | JM23300207 | SUPPORTO LH1200FL            | P02         |              |
| 218  | JM23300026 | RONDELLA 4 LH1200FL          | P01         |              |
| 219  | JM23300026 | RONDELLA 4 LH1200FL          | P01         |              |
| 220  | JM23300026 | RONDELLA 4 LH1200FL          | P01         |              |
| 221  | JM23300026 | RONDELLA 4 LH1200FL          | P01         |              |
| 222  | JM23300026 | RONDELLA 4 LH1200FL          | P01         |              |
| 223  | JM23300026 | RONDELLA 4 LH1200FL          | P01         |              |
| 224  | JM23300026 | RONDELLA 4 LH1200FL          | P01         |              |
| 225  | JM23300026 | RONDELLA 4 LH1200FL          | P01         |              |
| 226  | JM23300026 | RONDELLA 4 LH1200FL          | P01         |              |
| 227  | JM23300026 | RONDELLA 4 LH1200FL          | P01         |              |
| 228  | JM23300026 | RONDELLA 4 LH1200FL          | P01         |              |
| 229  | JM23300026 | RONDELLA 4 LH1200FL          | P01         |              |
| 230  | JM23300026 | RONDELLA 4 LH1200FL          | P01         |              |
| 233  | JM23300030 | VITE M4X10 LH1200FL          | P01         |              |
| 234  | JM23300030 | VITE M4X10 LH1200FL          | P01         |              |
| 235  | JM23300030 | VITE M4X10 LH1200FL          | P01         |              |
| 236  | JM23300030 | VITE M4X10 LH1200FL          | P01         |              |
| 237  | JM23300030 | VITE M4X10 LH1200FL          | P01         |              |
| 238  | JM23300030 | VITE M4X10 LH1200FL          | P01         |              |
| 239  | JM23300030 | VITE M4X10 LH1200FL          | P01         |              |
| 241  | JM23300077 | VITE 4,2x12 LH1200FL         | P01         |              |
| 242  | JM23300077 | VITE 4,2x12 LH1200FL         | P01         |              |
| 246  | JM23300133 | RONDELLA DENTATA 4 LH1200FL  | P01         |              |
| 249  | JM23300028 | VITE M4X12 LH1200FL          | P01         |              |
| 250  | JM23300028 | VITE M4X12 LH1200FL          | P01         |              |
| 251  | JM23300028 | VITE M4X12 LH1200FL          | P01         |              |
| 252  | JM23300028 | VITE M4X12 LH1200FL          | P01         |              |
| 253  | JM23300028 | VITE M4X12 LH1200FL          | P01         |              |
| 255  | JM23300027 | RONDELLA ELASTICA 4 LH1200FL | P01         |              |
| 256  | JM23300027 | RONDELLA ELASTICA 4 LH1200FL | P01         |              |
| 257  | JM23300027 | RONDELLA ELASTICA 4 LH1200FL | P01         |              |
| 258  | JM23300027 | RONDELLA ELASTICA 4 LH1200FL | P01         |              |
| 259  | JM23300027 | RONDELLA ELASTICA 4 LH1200FL | P01         |              |
| 260  | JM23300124 | VITE M5X14 LH1200FL          | P01         |              |
| 261  | JM23300124 | VITE M5X14 LH1200FL          | P01         |              |



| Rif. | Codice     | Descrizione                 | Gr. Listino | Com. Tecnica |
|------|------------|-----------------------------|-------------|--------------|
| 262  | JM23300124 | VITE M5X14 LH1200FL         | P01         |              |
| 263  | JM23300124 | VITE M5X14 LH1200FL         | P01         |              |
| 272  | JM23300093 | RONDELLA 10 LH1200FL        | P01         |              |
| 274  | JM23300079 | FERMACAVO LH1200FL          | P01         |              |
| 277  | JM23300022 | ANELLO ELASTICO 5 LH1200FL  | P01         |              |
| 278  | JM27080060 | ETICHETTA SICUREZZA MLT100  | P01         |              |
| 279  | JM23300121 | LEVA BLOCCO TAVOLA LH1200FL | P01         |              |
| 280  | JM23300169 | VITE M8X50 LH1200FL         | P01         |              |
| 283  | JM23300246 | SUPPORTO TAVOLA             | P99         |              |
| 284  | JM23300124 | VITE M5X14 LH1200FL         | P01         |              |
| 285  | JM23300247 | PERNO                       | P99         |              |
| 286  | JM23300241 | ANELLO                      | P99         |              |
| 287  | JM23300242 | MANOPOLA                    | P99         |              |
| 288  | JM23300243 | VITE                        | P99         |              |

